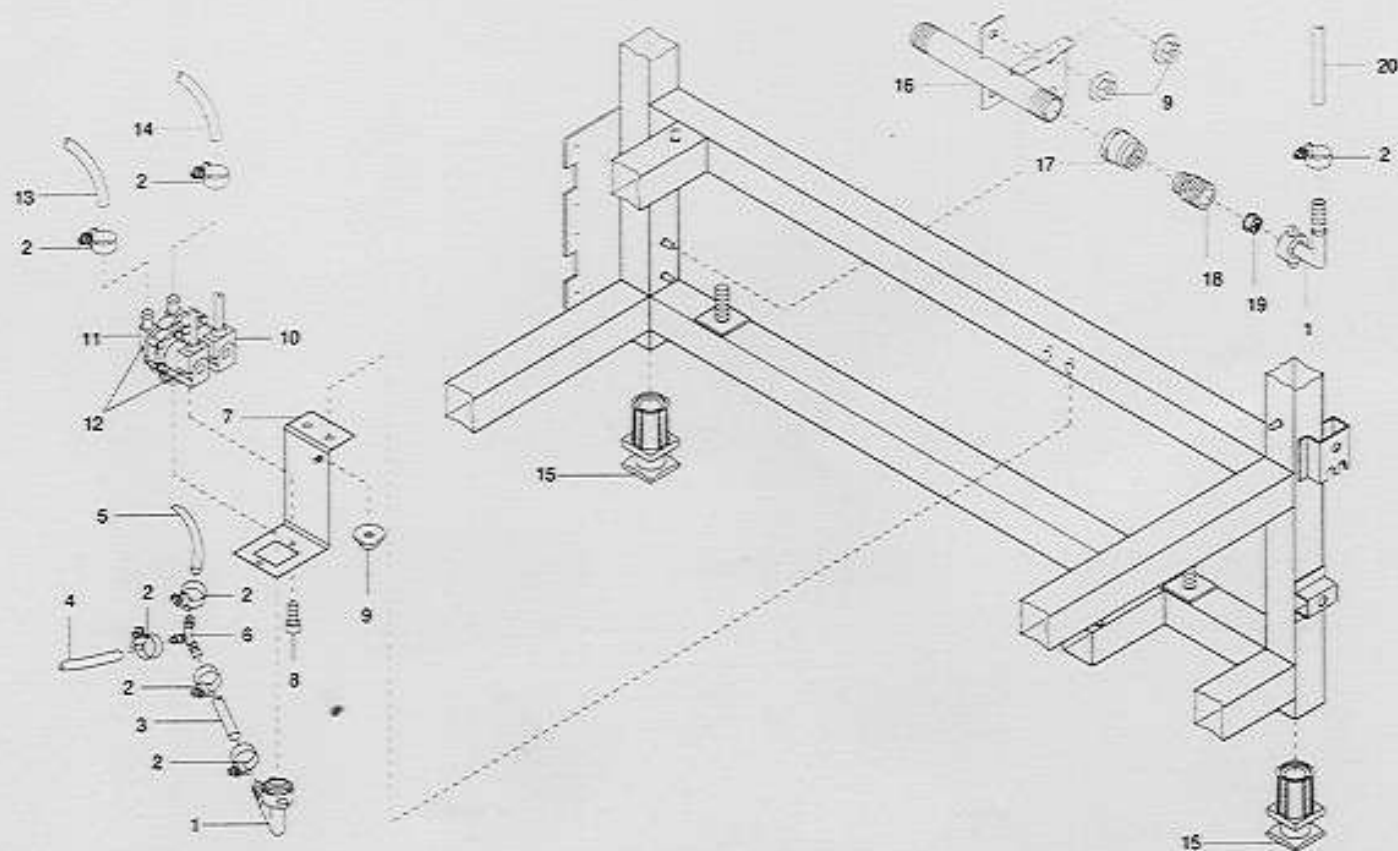
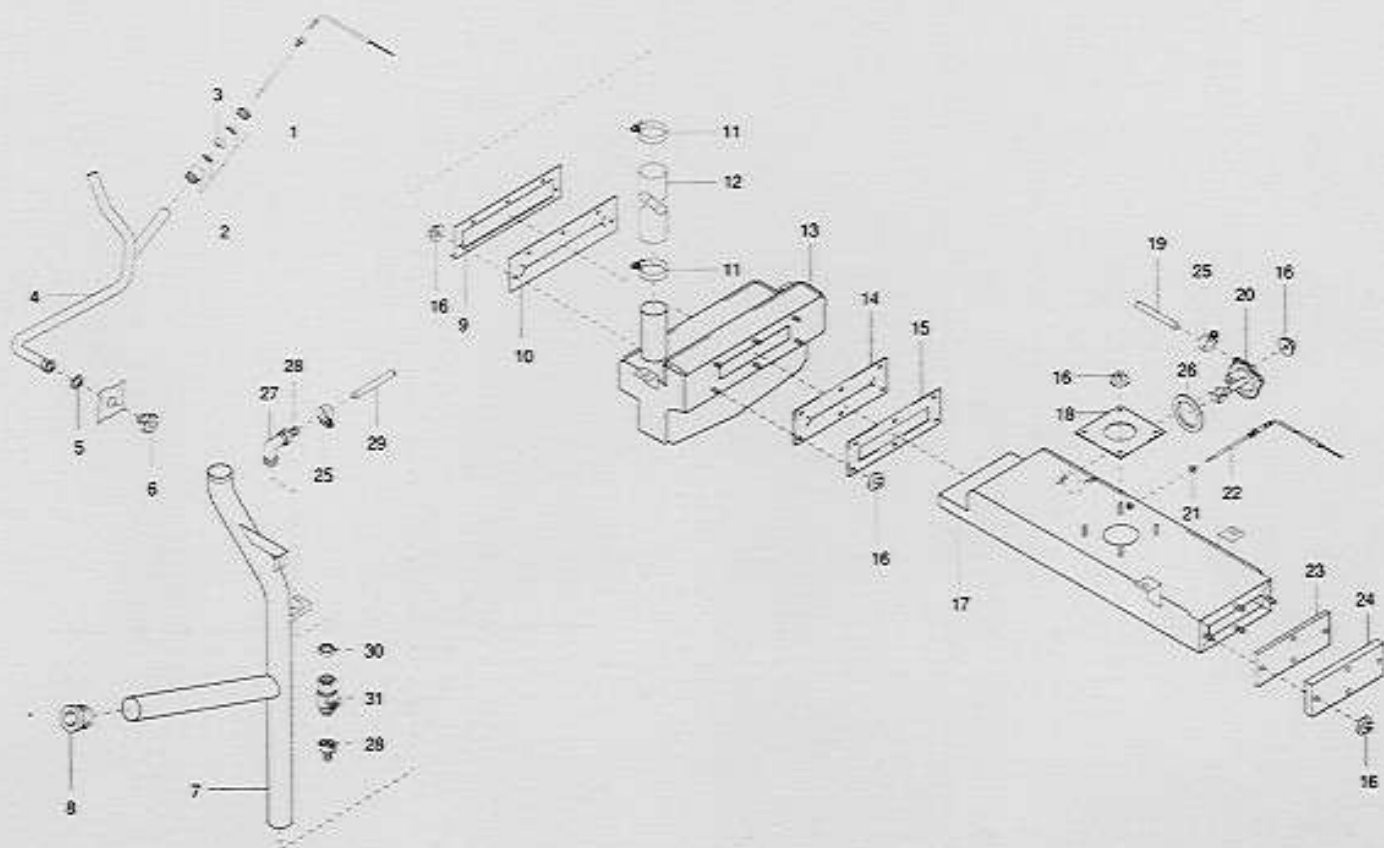


| | | | | |
|--------------------|------------------|------------------|----------------|------------------------------------|
| Bodengruppe | Spannung | Baugruppe | Ausgabe | gültig ab Seriennummer |
| Bottom | Voltage | Group | Edition | Application from Serial.No. |
| | I N AC 230V 50Hz | 10 | 10.1.1 | 62G94031001 |



| Pos. | St. | Ersatz.Nr. | Bezeichnung | Description |
|------|------|--------------|------------------------------|--------------------------------|
| Pos. | Pcs. | Sp. Part No. | | |
| 1 | 2 | 2062.0203 | Winkelverschraubung G3/4" | Threaded pipe angle G3/4" |
| 2 | 7 | 2066.0205 | Schlauchschelle 12-18mm | Hose clamp 12-18mm |
| 3 | 1 | 2067.0101 | Druckschlauch 90mm lang | Pressure hose 90mm long |
| 4 | 1 | 2067.0121 | Druckschlauch 290mm lang | Pressure hose 290mm long |
| 5 | 1 | 2067.0141 | Druckschlauch 1065mm lang | Pressure hose 1065mm long |
| 6 | 1 | 2062.0303 | Y-PVC Stück | Y-fitting 10mm |
| 7 | 1 | 8668.1035 | Haltewinkel Magnetventil | Holding bracket |
| 8 | 2 | 1004.0060 | Innensechskantschraube M4x10 | Slotted pan head screw M4x10 |
| 9 | 7 | 1106.0801 | Sechskant-Combi-Mutter M6 | Hex-combi-nut M6 |
| 10 | 2 | 3002.0324 | Magnetventilspule | Coil |
| 11 | 1 | 3002.0314 | Gehäuse Doppelmagnetventil | Body for double solenoid valve |
| 12 | - | 3002.0304 | Doppelmagnetventil kpl. | Double solenoid valve cpl. |
| 13 | 1 | 2067.0157 | Druckschlauch 340mm lang | Pressure hose 340mm long |
| 14 | 1 | 2067.0168 | Druckschlauch 2500mm lang | Pressure hose 2500mm long |
| 15 | 4 | 2039.0111 | Gerätefuß höhenverstellbar | Foot adjustable |
| 16 | 1 | 8668.1027 | Wasseranschlußrohr | Water connection pipe |
| 17 | 1 | 1500.1599 | Reduziermuffe 3/4" / 1/2" | Reducing coupling 3/4" / 1/2" |
| 18 | 1 | 1500.1579 | Reduziernippel 1/2" / 3/4" | Reducing nipple 1/2" / 3/4" |
| 19 | 1 | 1900.0200 | Schmutzsieb | Strainer, water inlet |
| 20 | 1 | 2067.0159 | Druckschlauch 900mm lang | Pressure hose 900mm long |

| | | | | |
|-------------|------------------|-----------|---------|-----------------------------|
| Bodengruppe | Spannung | Baugruppe | Ausgabe | gültig ab Seriennummer |
| Bottom | Voltage | Group | Edition | Application from Serial.No. |
| | 1 N AC 230V 50Hz | 9 | 9.1.1 | 62G94031001 |



| Pos. | St. | Ersatz.Nr. | Bezeichnung | Description |
|------|------|--------------|-------------------------------|-------------------------------|
| Pos. | Pcs. | Sp. Part No. | | |
| 1 | 1 | 3014.0156 | Bypassfühler | Bypass sensor |
| 2 | 1 | 4007.0600 | Kabelverschraubung PG9 | Cable connection PG9 |
| 3 | 1 | 2022.0100 | Dichtung | Gasket |
| 4 | 1 | 2910.1048 | Bypassrohr | Bypass pipe |
| 5 | 1 | 1315.0104 | Kupferdichtung | Copper washer |
| 6 | 1 | 2016.0920 | Bypassdüse | Bypass nozzle |
| 7 | 1 | 2910.1049 | Entlüftungsrohr Ablauf | Venting pipe, drain |
| 8 | 1 | 5012.0542 | Dichtung Entlüftungsrohr | Seal venting pipe/ drain tank |
| 9 | 1 | 2715.1028 | Flansch | Flange |
| 10 | 1 | 5110.1039 | Dichtung | Gasket drain overflow |
| 11 | 2 | 2066.0207 | Schlauchschelle 32-50mm | Hose clamp 32-50mm |
| 12 | 1 | 2112.1000 | Schlauch ø38 130 lang | Hose ø38 130 long |
| 13 | 1 | 8666.1078 | Sammelkasten | Drain outlet chamber |
| 14 | 1 | 5110.1000 | Dichtung für Sammelkasten | Gasket drain chamber |
| 15 | 1 | 2715.1010 | Flansch für Sammelkasten | Flange for drain chamber |
| 16 | 20 | 1106.0801 | Sechskant-Combi-Mutter M6 | Hex-combi-nut M6 |
| 17 | 1 | 8666.1079 | Kondensator | Drain collecting chamber |
| 18 | 1 | 5010.1002 | Flanschdichtung | Gasket cabinet - drain |
| 19 | 1 | 2067.0157 | Druckschlauch 340mm lang | Pressure hose 340mm long |
| 20 | 1 | 8666.1077 | Ablöschdüse kpl. | Quenching nozzle cpl. |
| 21 | 1 | 1315.0101 | Kupferdichtung | Copper washer |
| 22 | 1 | 3014.0159 | Ablöschfühler | Quenching sensor |
| 23 | 1 | 5110.1001 | Dichtung für Reinigungsdeckel | End plate gasket |
| 24 | 1 | 2715.1013 | Reinigungsdeckel | Quenching tank cover plate |
| 25 | 2 | 2066.0205 | Schlauchschelle 12-18mm | Hose clamp 12-18mm |
| 26 | 1 | 5110.1005 | Dichtung für Ablöschdüse | Gasket for quenching nozzle |
| 27 | 1 | 2062.0312 | Winkel 90° G1/2" | Angle 90° G1/2" |
| 28 | 2 | 2062.0311 | Schlauchverschraubung G1/2" | Screwed hose connection G1/2" |
| 29 | 1 | 2067.0159 | Druckschlauch 900mm lang | Pressure hose 900mm long |
| 30 | 1 | 2062.0310 | Sechskantmutter G1/2" | Hex nut G1/2" |
| 31 | 1 | 2069.0101 | Rückflußverhinderer G1/2" | Non return valve G1/2" |

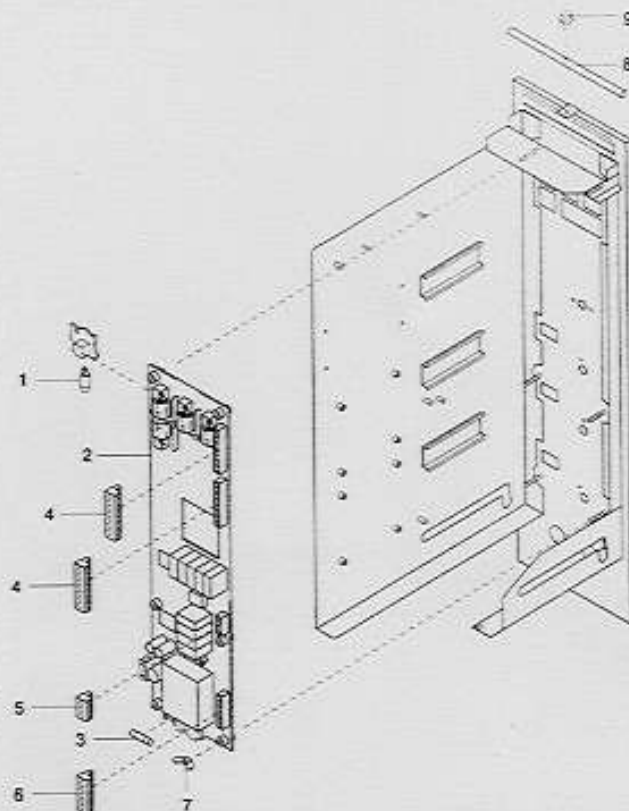
Bedienblende
Control Panel

Spannung
Voltage
1 N AC 230V 50Hz

Baugruppe
Group
1

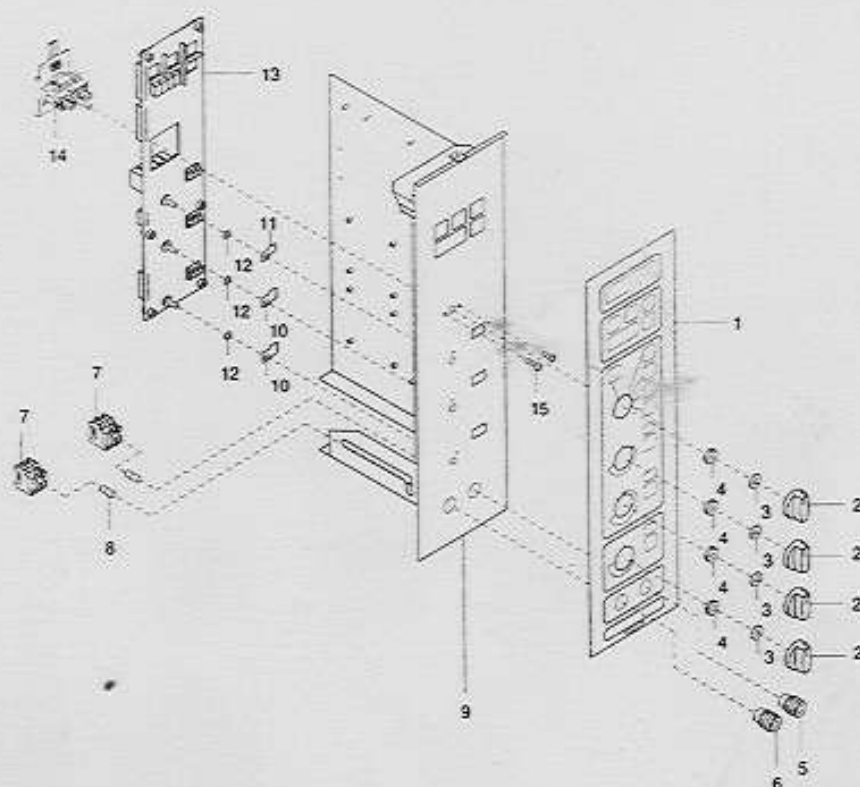
Ausgabe
Edition
1.2.1

gültig ab Seriennummer
Application from Serial.No.
62G94031001



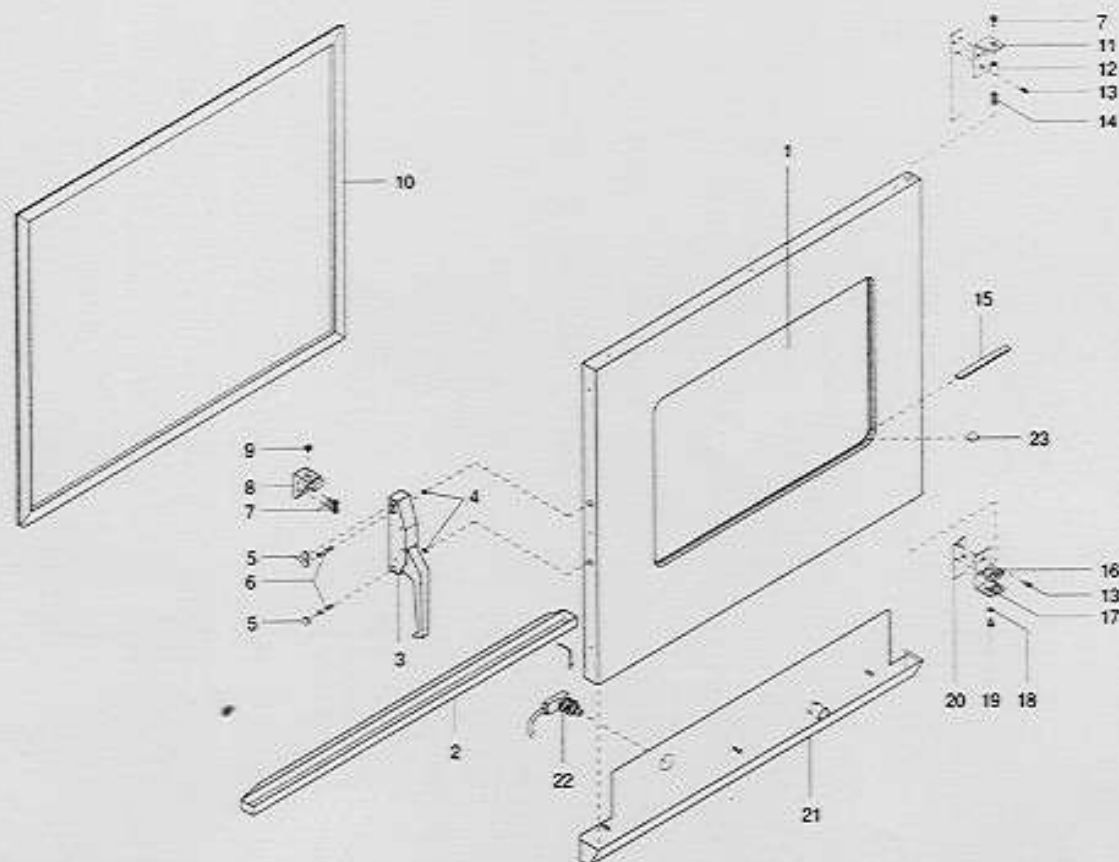
| Pos. Pos. | St. Pcs. | Ersatz.Nr. Sp. Part No. | Bezeichnung | Description |
|--------------|-------------|----------------------------|-----------------------------|---------------------------|
| 1 | 4 | 3024.0210 | Glühlampe | Bulb |
| 2 | 1 | 3040.0121 | Regel- und Steuerelektronik | Pcb complete |
| 3 | 1 | 3019.0116 | Feinsicherung 0,125A | Fuse 0,125A |
| 4 | 2 | 3040.0199 | Steckerleiste BL12 | Multipoint connector BL12 |
| 5 | 1 | 3040.0195 | Steckerleiste BL5 | Multipoint connector BL5 |
| 6 | 1 | 3040.0179 | Steckerleiste BL9 | Multipoint connector BL9 |
| 7 | 6 | 1104.0500 | Flügelmutter M4 | Wing-nut M4 |
| 8 | 1 | 5012.0556 | Dichtung für Frontplatte | Front panel gasket |
| 9 | 1 | 1005.2000 | Sperrzahnschraube M5x8 | Safety screw M5x8 |

| | | | | |
|-------------------------------|---|-------------------------|-----------------------------|--|
| Bedienblende Control Panel | Spannung Voltage I N AC 230V 50Hz | Baugruppe Group I | Ausgabe Edition 1.1.1 | gültig ab Seriennummer Application from Serial.No. 62G94031001 |
|-------------------------------|---|-------------------------|-----------------------------|--|



| Pos. Pos. | St. Pcs. | Ersatz.Nr. Sp. Part No. | Bezeichnung | Description |
|--------------|-------------|----------------------------|----------------------------------|---------------------------------|
| 1 | 1 | 2052.3000 | Blende | Control panel |
| 2 | 4 | 3013.0330 | Knebel | Dial |
| 3 | 4 | 5012.0554 | Knebeldichtung | Dial gasket |
| 4 | 4 | 2022.0104 | Durchführungsstülpe | Grommet |
| 5 | 1 | 3016.1353 | Betätigungsvorsatz Heißluft | Hot air reset push button |
| 6 | 1 | 3016.1354 | Betätigungsvorsatz Dampf | Steam reset push button |
| 7 | 2 | 3016.1350 | Resettaster | Reset switch insert |
| 8 | 2 | 3024.0301 | Glimmlampe für Resettaster | Glow lamp |
| 9 | 1 | 8462.3001 | Frontplatte geschweißt | Front panel |
| 10 | 2 | 2510.520731 | Anschlag Uhr/ KT | Stop for poti core temp./ timer |
| 11 | 1 | 2510.530746 | Anschlag HL | Stop for poti hot air |
| 12 | 4 | 1315.0101 | Kupferdichtung | Copper washer |
| 13 | 1 | 3040.0121 | Regel- und Steuerelektronik kpl. | Pcb complete |
| 14 | 1 | 3016.1631 | Betriebsartenschalter | Mode switch block |
| 15 | 2 | 1004.0061 | Zylinderschraube M4x8 | Slotted pan head screw M4x8 |

| | | | | |
|-------------------|---|-------------------------|-----------------------------|--|
| Gerätetür Door | Spannung Voltage I N AC 230V 50Hz | Baugruppe Group 8 | Ausgabe Edition 8.1.1 | gültig ab Seriennummer Application from Serial.No. 62G94031001 |
|-------------------|---|-------------------------|-----------------------------|--|



| Pos. | St. | Ersatz.Nr. | Bezeichnung | Description |
|------|------|--------------|--------------------------------|------------------------|
| Pos. | Pcs. | Sp. Part No. | | |
| - | 1 | 8470.3001 | Tür kpl. | Door cpl. |
| 1 | 1 | 5200.1011 | Glasscheibe | Door glass |
| 2 | 1 | 8474.1063 | Türtropfwanne | Door drip collector |
| 3 | 1 | 2016.1100 | Türschloß | Door lock |
| 4 | 2 | 1305.0260 | Unterlegscheibe A5,3 | Washer A5,3 |
| 5 | 3 | 2016.1102 | Verschlußstopfen | End cap |
| 6 | 2 | 1005.1964 | Senkschraube M5x25 | End cap |
| 7 | 2 | 1005.2100 | Sperrzahnschraube M5x16 | Screw M5x16 |
| 8 | 1 | 2016.0610 | Fangkloben | Door catch |
| 9 | 1 | 1005.2000 | Sperrzahnschraube M5x8 | Screw M5x8 |
| 10 | 1 | 5012.0715 | Türdichtung | Door gasket |
| 11 | 1 | 8440.1000 | Türhaltewinkel oben | Door holder top |
| 12 | 1 | 2016.0801 | Türbolzen | Door bolt |
| 13 | 6 | 1005.1960 | Senkschraube M5x16 | Hex screw M5x16 |
| 14 | 1 | 2001.0108 | Druckfeder | Compression spring |
| 15 | 1 | 5012.0200 | 3,7m Silikonkeder | 3,7m door glass gasket |
| 16 | 1 | 2016.0884 | Rastteller | Door locking plate |
| 17 | 1 | 2630.210311 | Türhaltewinkel unten | Door holder down |
| 18 | 1 | 1205.0362 | Tellerfeder A5,3 | Spring washer A5,3 |
| 19 | 1 | 1008.0752 | Sechskantschraube M5x10 | Hex screw M5x10 |
| 20 | 1 | 2930.1020 | Verstärkung für Türhaltewinkel | Door holding bracket |
| 21 | 1 | 8455.1029 | Auffangwanne | Drip collector |
| 22 | 1 | 3016.1403 | Türkontaktschalter | Door contact switch |

Elektromontageplatte
Electrical Installation

Spannung
Voltage

Baugruppe
Group

Ausgabe
Edition

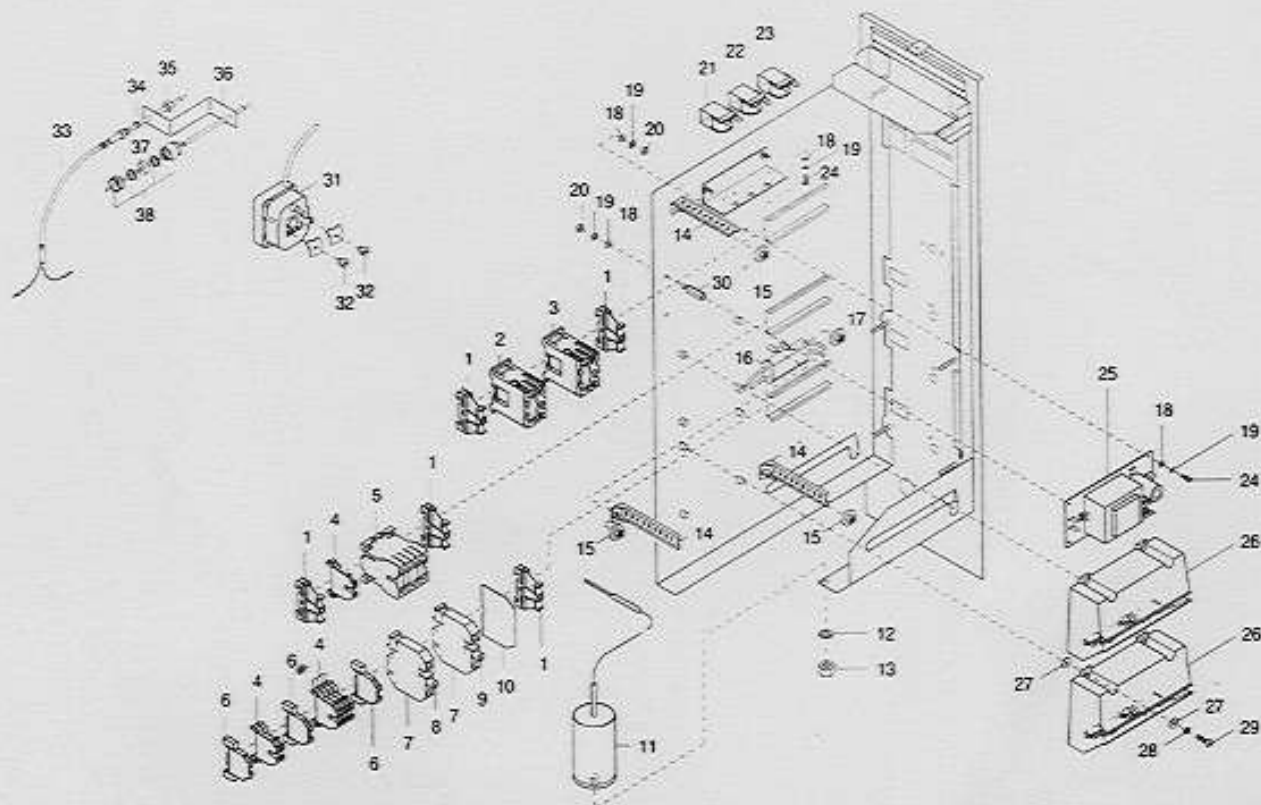
gültig ab Seriennummer
Application from Serial.No.

1 N AC 230V 50Hz

2

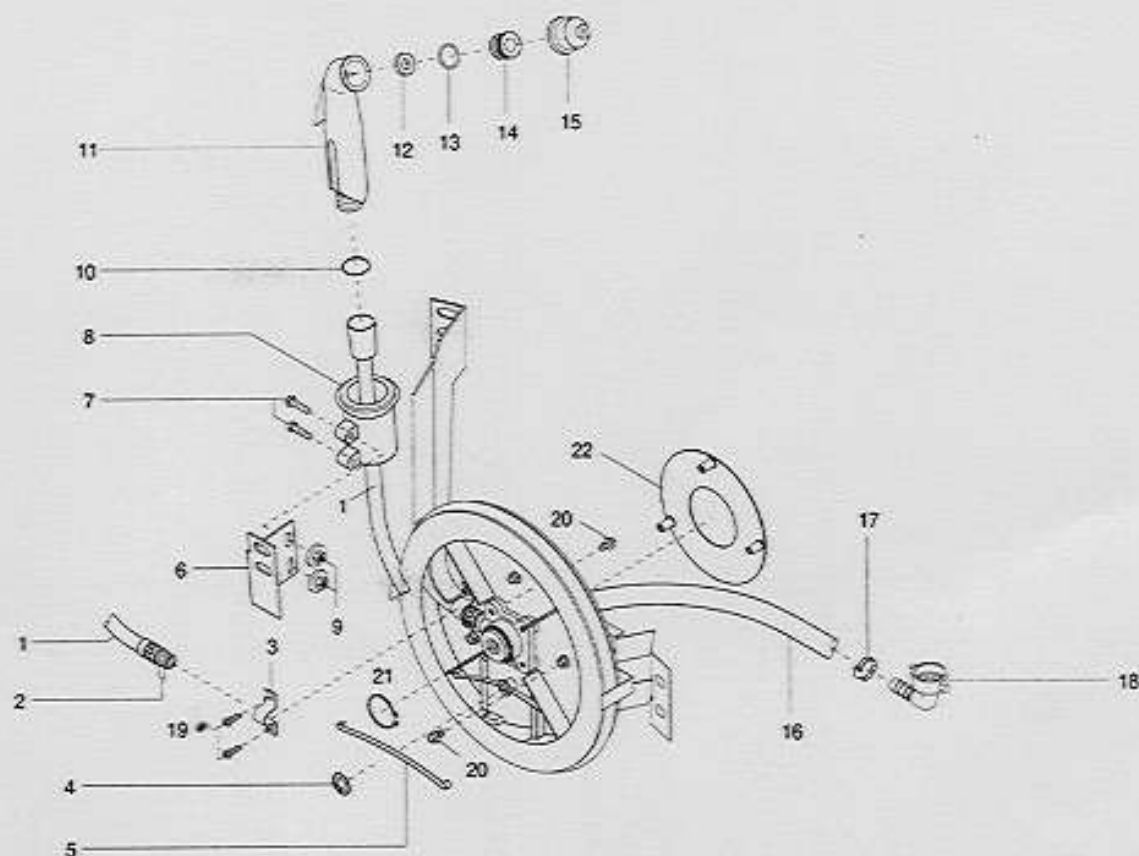
2.1.1

62G94031001



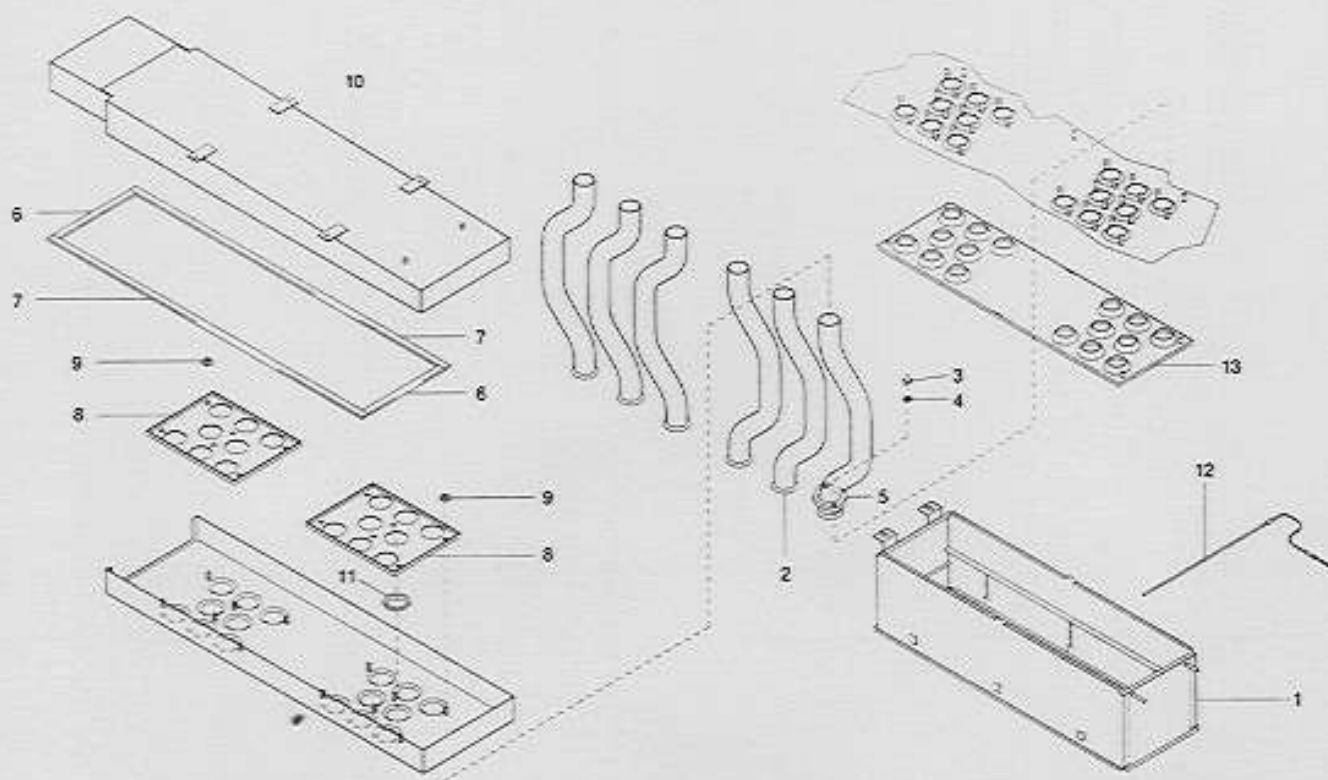
| Pos. Pos. | St. Pcs. | Ersatz.Nr. Sp. Part No. | Bezeichnung | Description |
|--------------|-------------|----------------------------|--|--|
| 1 | 5 | 4001.1203 | Endklammer | End plate |
| 2 | 1 | 3028.0111 | Schütz Teillast Dampf | Contacteur steam |
| 3 | 1 | 3028.0111 | Schütz Teillast Heißluft | Contacteur hot air |
| 4 | 7 | 4001.1216 | Reihen клемме 4mm ² | Terminal block 4mm ² |
| 5 | 1 | 3028.0501 | Motorschütz | Motor contactor |
| 6 | 3 | 4001.1222 | Reihen клемме 4mm ² gelb-grün | Terminal block 4mm ² yellow-green |
| 7 | 2 | 4001.1228 | Reihen-Sicherungsklemme | Fuse holder |
| 8 | 1 | 3019.0112 | Feinsicherung 4A | Fuse 4A |
| 9 | 1 | 3019.0400 | Feinsicherung 0,5A | Fuse 0,5A |
| 10 | 1 | 4001.1227 | Abdeckung für Reihen sicherungsklemme | Cover for fuse holder |
| 11 | 1 | 3035.0518 | Kondensator für Lüftermotor | Motor capacitor |
| 12 | 1 | 1108.0260 | Sechskantmutter M8 | Hex nut M8 |
| 13 | 1 | 1208.0160 | Zahnscheibe A8,4 | Toothed lock washer A8,4 |
| 14 | 3 | 2020.0401 | Kabelhalter lang | Cable assy holder long |
| 15 | 3 | 1005.0122 | Sechskant-Combi-Mutter M5 | Hex-combi-nut M5 |
| 16 | 1 | 3001.0446 | Funkentstörfilter | RC-element |
| 17 | 1 | 1105.0123 | Sechskant-Combi-Mutter M4 | Hex-combi-nut M4 |
| 18 | 13 | 1304.0150 | Unterlegscheibe A3,2 | Washer A3,2 |
| 19 | 13 | 1203.0120 | Zahnscheibe A3,2 | Toothed lock washer A3,2 |
| 20 | 6 | 1103.0120 | Sechskantmutter M3 | Hex nut M3 |
| 21 | 1 | 3006.0101 | Alarmsummer Betriebsende | Alarm buzzer timer |
| 22 | 1 | 3006.0101 | Alarmsummer Störung Heißluft | Alarm buzzer hot air |
| 23 | 1 | 3006.0101 | Alarmsummer Störung Dampf | Alarm buzzer steam |
| 24 | 7 | 1003.0120 | Flachkopfschraube M3x10 | Hex screw M3x10 |
| 25 | 1 | 3037.0218 | Netzteil 230V /28V DC | Transformer |
| 26 | 2 | 3039.0103 | Gasfeuerungsautomat | Ignition module |
| 27 | 16 | 1306.0218 | Unterlegscheibe A4,3 | Washer A4,3 |
| 28 | 1 | 1204.0120 | Zahnscheibe A4,3 | Toothed lock washer A4,3 |
| 29 | 8 | 1004.0664 | Innensechskantschraube M4x16 | Slotted pan head screw M4x16 |
| 30 | 4 | 1403.0165 | Abstandsbolzen M3x15 | Distance bolt M3x15 |
| 31 | 1 | 3014.0310 | Sicherheitstemperaturbegrenzer 360°C | Bi-limit safety thermostat |
| 32 | 2 | 1004.0060 | Zylinderschraube M4x4 | Slotted pan head screw M4x4 |
| 33 | 1 | 3014.0151 | Garraumfühler | Sensor for interior cabinet |
| 34 | 1 | 1315.0101 | Kupferdichtung | Copper washer |
| 35 | 1 | 1106.0160 | Sechskantmutter M6 | Hex nut M6 |
| 36 | 1 | 2520.400212 | Thermostathaltewinkel | Thermostat holder |
| 37 | 1 | 2022.0100 | Dichtung | Gasket |
| 38 | 1 | 4007.0600 | Kabelverschraubung PG9 | Cable connection PG9 |

| | | | | |
|---------------------------|---------------------|--------------------|--------------------|---|
| Handbrause Hand Shower | Spannung Voltage | Baugruppe Group | Ausgabe Edition | gültig ab Seriennummer Application from Serial.No. |
| | 1 N AC 230V 50Hz | 11 | 11.1.1 | 62G94031001 |



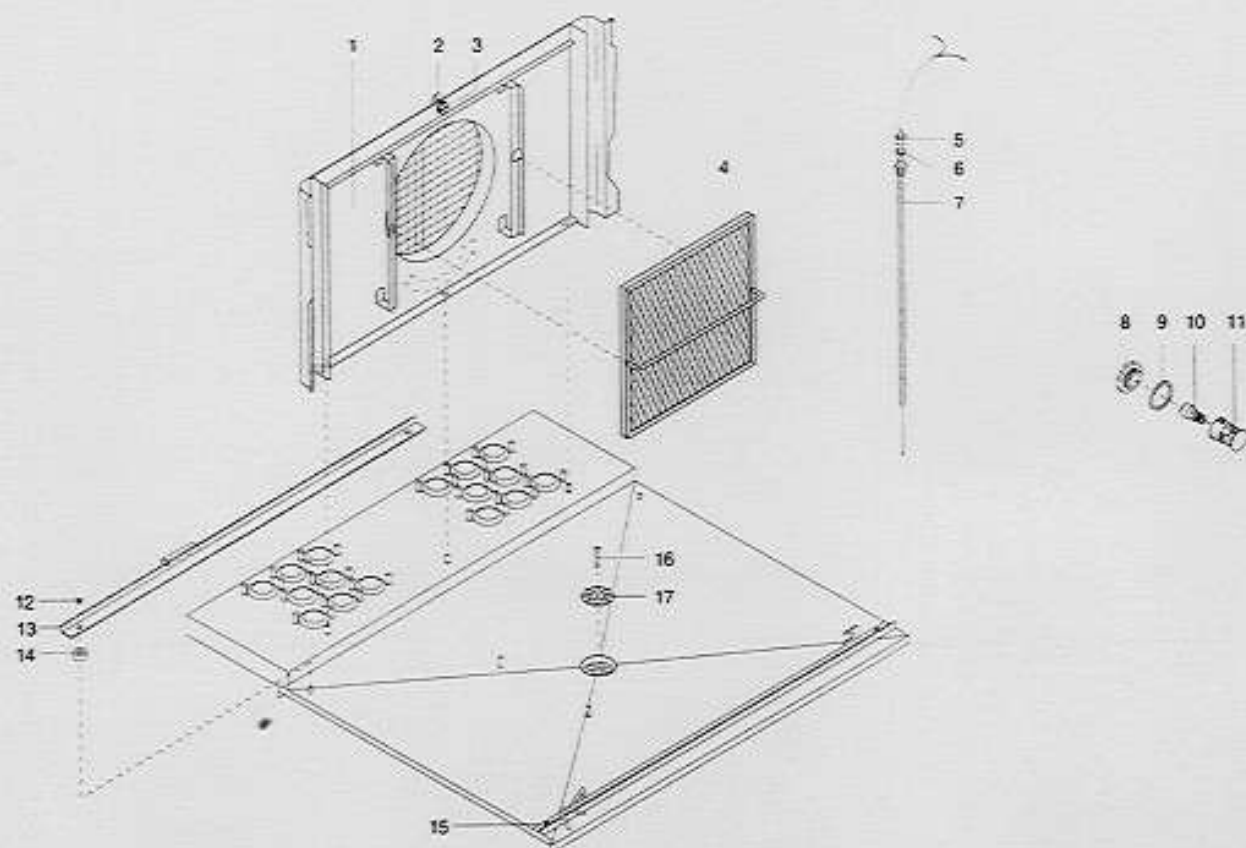
| Pos. Pos. | St. Pcs. | Ersatz.Nr. Sp. Part No. | Bezeichnung | Description |
|--------------|-------------|----------------------------|---|---|
| - | 1 | 8655.5001 | Schlauchrolle kpl. | Hand shower roll guide cpl. |
| 1 | 1 | 2067.0605 | Brauseschlauch | Shower hose |
| 2 | 2 | 2060.0228 | Dichtung für Brauseschlauch | Gasket for hand shower |
| 3 | 1 | 2760.1159 | Schelle | Clamp supply hose |
| 4 | 1 | 2001.0203 | Federmutter | Lock washer |
| 5 | 1 | 2001.0202 | Bügfeder | Fastening spring |
| 6 | 1 | 2760.1172 | Tulpenhalter | Holding bracket |
| 7 | 2 | 1008.0751 | Sechskantschraube M5x25 | Holding bracket |
| 8 | 1 | 2060.0116 | Tulpe für Schlauchroller | Tulip |
| 9 | 2 | 1105.0122 | Sechskant-Combi-Mutter M5 | Hex-combi-nut M5 |
| 10 | 1 | 5012.0536 | Dichtung | Gasket |
| 11 | 1 | 2060.0100 | Handbrause mit Kulisse (inkl. Pos. 11,12,13,14) | Hand shower cpl. (incl. pos. 11,12,13,14) |
| 12 | 1 | 2060.0218 | Dichtung für Ventil | Gasket |
| 13 | 1 | 2060.0217 | O-Ring | O-ring |
| 14 | 1 | 2060.0216 | Innensechskant | Head screw |
| 15 | 1 | 2060.0215 | Düse für Brause | Mouthpiece |
| 16 | 1 | 2067.0060 | Druckschlauch 900mm lang | Pressure hose 900mm long |
| 17 | 1 | 2066.0205 | Schlauchselle 12-18mm | Hose clamp 12-18mm |
| 18 | 1 | 2062.0203 | Winkelverschraubung G3/4" | Threaded pipe angle G3/4" |
| 19 | 2 | 1003.0231 | Gewindekerbschraube für Kunststoff 3,9x13 | Slotted screw 3,9x13 |
| 20 | 3 | 1005.2000 | Sperrzahnschraube M5x8 | Safety screw M5x8 |
| 21 | 1 | 1250.0103 | Sicherungsring 28x1,5 | Safety ring 28x1,5 |
| 22 | 1 | 8655.2005 | Sicherungsscheibe | Spring cover |

| | | | | |
|---|---------------------|--------------------|--------------------|---|
| Heißluftwärmetauscher Hot Air Heat Exchanger | Spannung Voltage | Baugruppe Group | Ausgabe Edition | gültig ab Seriennummer Application from Serial.No. |
| | I N AC 230V 50Hz | 5 | 5.1.1 | 62G94031001 |



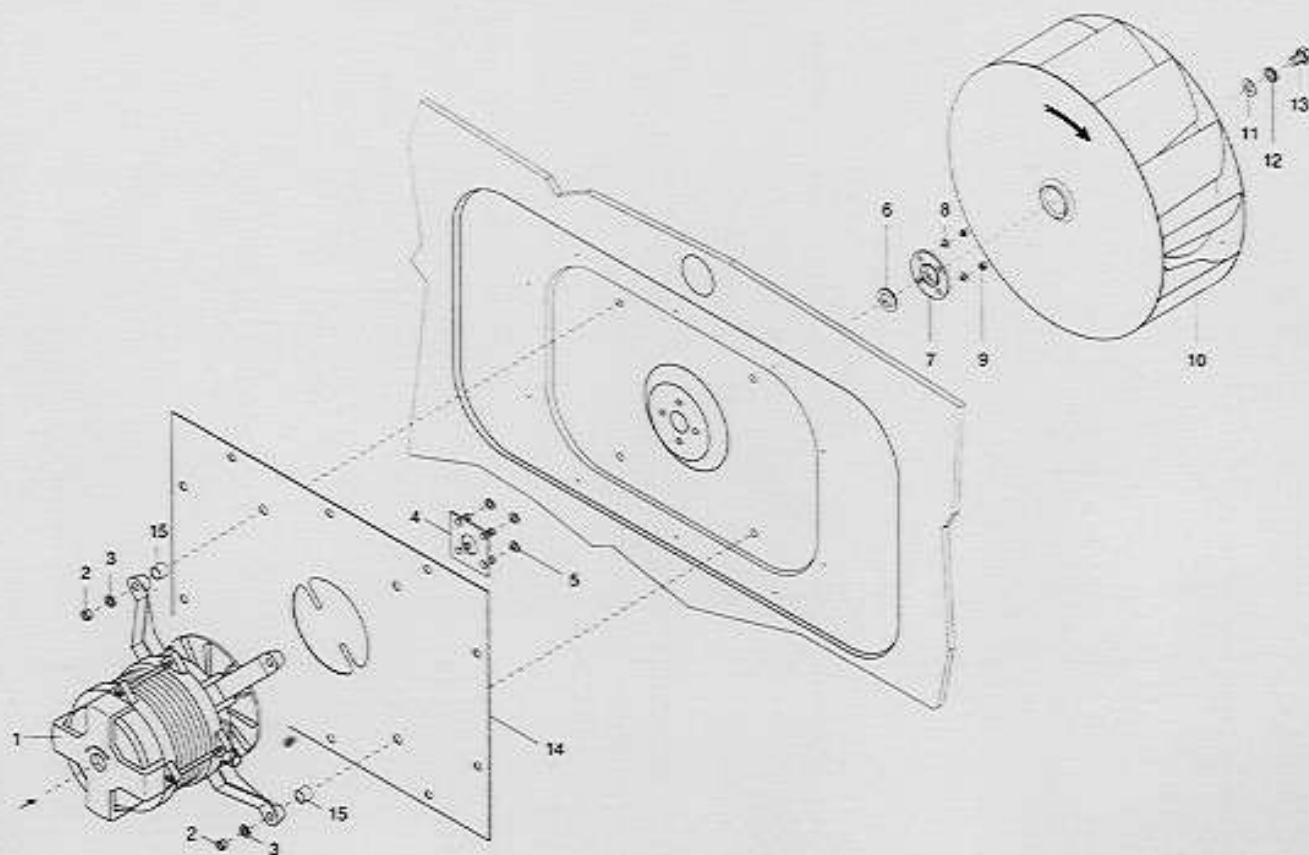
| Pos. | St. | Ersatz.Nr. | Bezeichnung | Description |
|------|------|--------------|-------------------------------------|-------------------------------|
| Pos. | Pcs. | Sp. Part No. | | |
| 1 | 1 | 8519.1006 | Brennerkammer innen | Secondary air chamber |
| 2 | 16 | 2910.1064 | Röhren für Heißluftwärmetauscher | Hot air heat exchanger pipes |
| 3 | 32 | 1108.0320 | Hutmutter M8 | Hex cap nut M8 |
| 4 | 32 | 1208.0260 | Federring A8,1 | Spring washer A8,1 |
| 5 | 16 | 2550.031595 | Halteflansch | Holding flange |
| 6 | 2 | 5006.0106 | Gewebeband 4x15, 230mm | Flat seal 4x15, 230mm |
| 7 | 2 | 5006.0110 | Gewebeband 4x15, 770mm | Flat seal 4x15, 770mm |
| 8 | 2 | 2770.1025 | Dichtungshalteplatte | Pipe clamping plate |
| 9 | 12 | 1106.0801 | Sechskant-Combi-Mutter M6 | Hex-combi-nut M6 |
| 10 | 1 | 8668.1032 | Abgassammler | Flue gas collecting chamber |
| 11 | 16 | 5001.0212 | Flachdichtung | Graphite packing |
| 12 | 1 | 3014.0157 | Thermoelement Heißluftwärmetauscher | Thermocouple hot air exchange |
| 13 | 1 | 8519.1009 | Flammschutz | Flame funnel |

| | | | | |
|-----------------------------|---------------------|--------------------|--------------------|---|
| Garraum Interior Cabinet | Spannung Voltage | Baugruppe Group | Ausgabe Edition | gültig ab Seriennummer Application from Serial.No. |
| | 1 N AC 230V 50Hz | 7 | 7.1.1 | 62G94031001 |



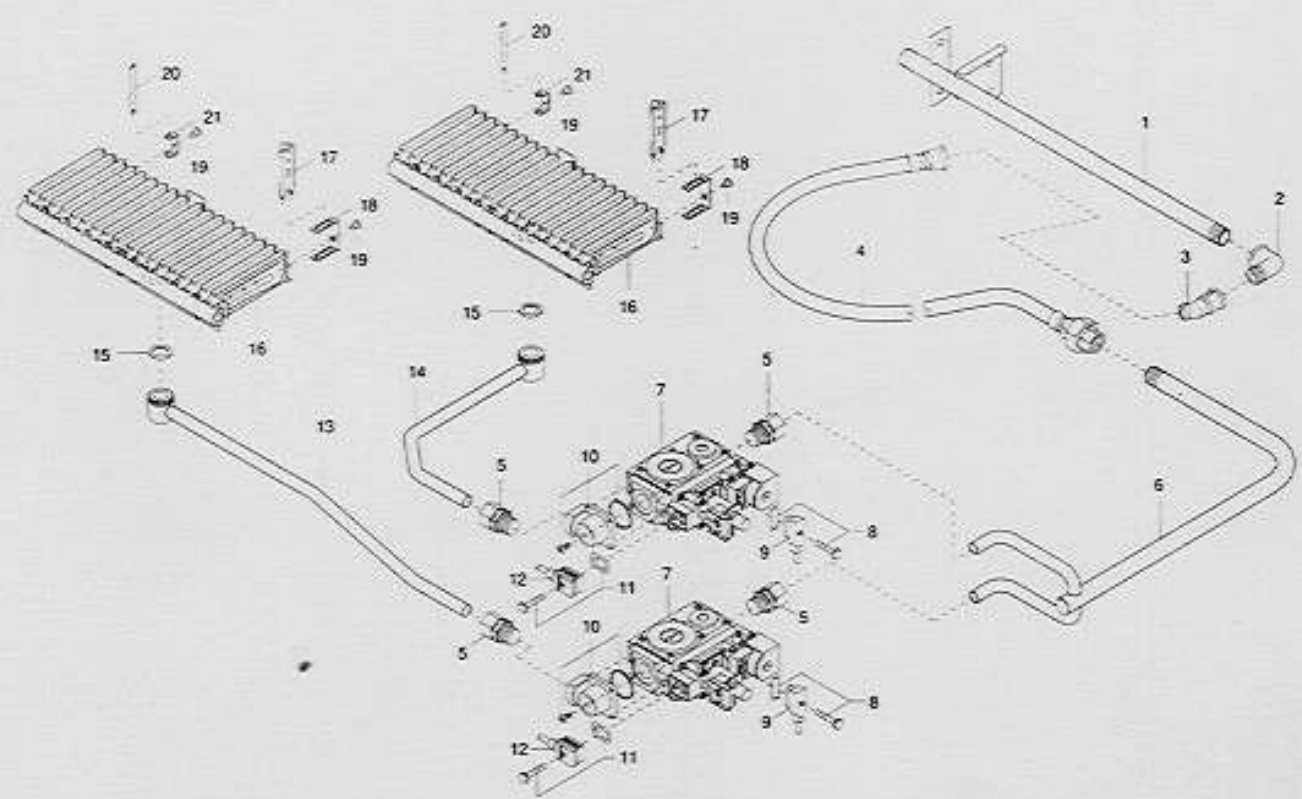
| Pos. | St. | Ersatz.Nr. | Bezeichnung | Description |
|------|------|--------------|-----------------------------------|---------------------------------------|
| Pos. | Pcs. | Sp. Part No. | | |
| - | 2 | 3023.0501 | Garraumbeleuchtung kpl. | Interior lamp cpl. |
| 1 | 1 | 8516.1047 | Luftleitblech | Air baffle |
| 2 | 1 | 2043.0203 | Haltescheibe für Schnellverschluß | Holder plate for quick acting closure |
| 3 | 1 | 2043.0201 | Verschlußbolzen | Locking pin |
| 4 | 1 | 2010.0710 | Fettfilter | Fat filter |
| 5 | 1 | 1112.0160 | Sechskantmutter M12 | Hex screw M12 |
| 6 | 1 | 3035.0606 | Kupferdichtung | Copper washer |
| 7 | 1 | 3035.0607 | Einstechfühler | Sensor core temperature |
| 8 | 2 | 3025.0002 | Lampenglas | Lamp lens |
| 9 | 2 | 5012.0535 | Dichtring | Gasket |
| 10 | 2 | 3024.0200 | Glühlampe hitzebeständig | Bulb, heat resistant |
| 11 | 2 | 3023.0506 | Lampenfassung | Socket for interior lamp |
| 12 | 4 | 1005.0467 | Senkschraube M5x8 | Countersunk screw M5x8 |
| 13 | 1 | 8514.1071 | Einfahrschiene links | Rail left |
| 14 | 4 | 2031.1000 | Distanzscheibe | Spacer |
| 15 | 1 | 8514.1074 | Einfahrschiene rechts | Rail right |
| 16 | 1 | 1005.2301 | Flachkopfschraube M5x35 | Pan head screw M5x35 |
| 17 | 1 | 2520.480890 | Lochscheibe | Drain sieve |

| | | | | |
|--|---------------------|--------------------|--------------------|---|
| Motor und Lüfterrad Motor and Fan Wheel | Spannung Voltage | Baugruppe Group | Ausgabe Edition | gültig ab Seriennummer Application from Serial.No. |
| | 1 N AC 230V 50Hz | 6 | 6.1.1 | 62G94031001 |



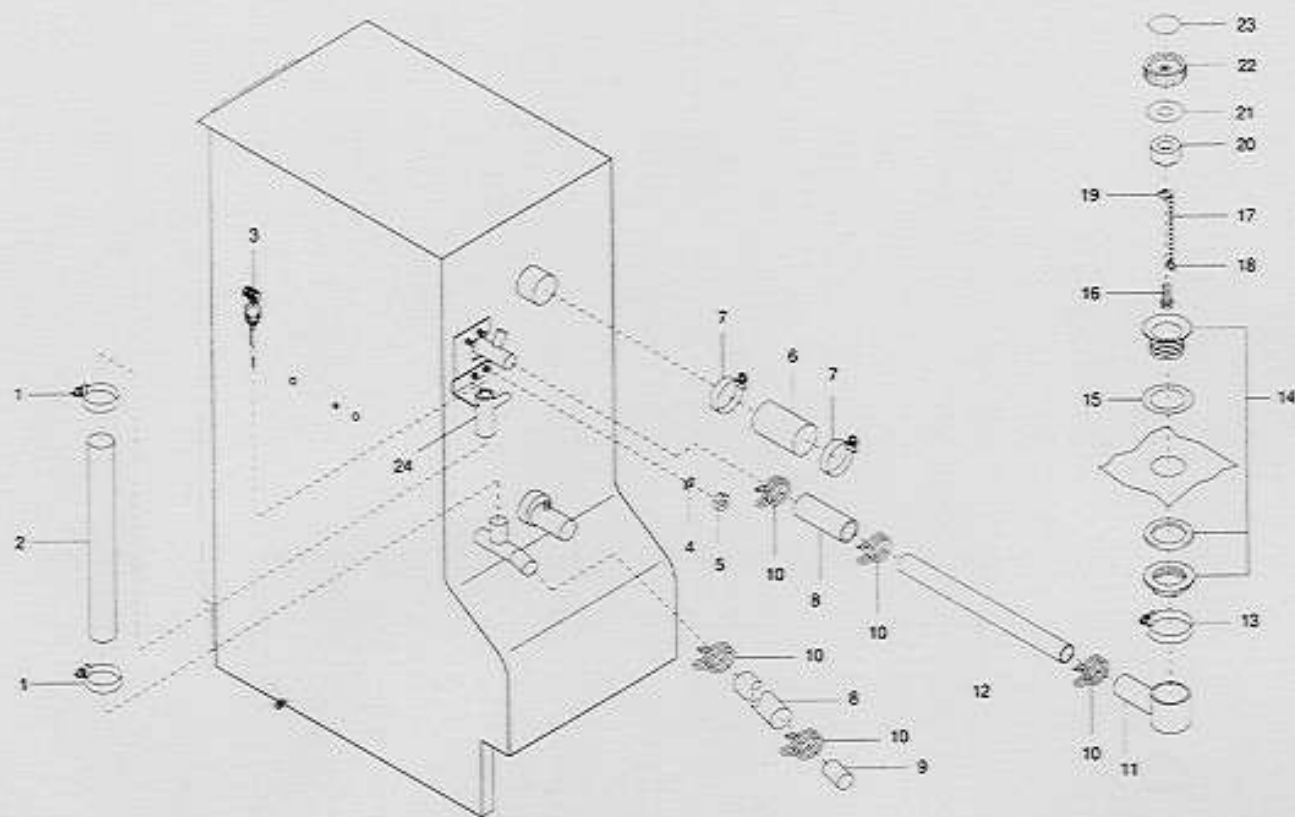
| Pos. Pos. | St. Pcs. | Ersatz.Nr. Sp. Part No. | Bezeichnung | Description |
|--------------|-------------|----------------------------|--------------------------|---------------------------|
| 1 | 1 | 3001.0441 | Motor | Motor |
| 2 | 4 | 1108.0260 | Sechskantmutter M8 | Hex nut M8 |
| 3 | 4 | 1208.0160 | Zahnscheibe A8,4 | Toothed lock washer A8,4 |
| 4 | 1 | 8506.0104 | Halteplatte | Holder plate |
| 5 | 4 | 1315.0101 | Kupferdichtung | Copper washer |
| 6 | 1 | 5001.0207 | Motorwellendichtung | Motor shaft gasket |
| 7 | 1 | 2016.0876 | Dichtungsflansch | Gasket flange |
| 8 | 4 | 1306.0120 | Unterlegscheibe A6,4 | Washer A6,4 |
| 9 | 4 | 1106.0220 | Sechskantmutter M6 flach | Hex nut M6 flat |
| 10 | 1 | 2012.0500 | Lüfterrad | Fan wheel |
| 11 | 1 | 1310.0160 | Unterlegscheibe A10,5 | Washer A10,5 |
| 12 | 1 | 1210.0160 | Zahnscheibe A10,5 | Toothed lock washer A10,5 |
| 13 | 1 | 1010.0760 | Sechskantschraube M10x16 | Hex screw M10x16 |
| 14 | 1 | 2720.1083 | Versteifung | Motor plate |
| 15 | 4 | 2016.0887 | Distanzbuchse ø16x13,3 | Spacer ø16x13,3 |

| | | | | |
|--------------------------------|------------------|-----------|---------|-----------------------------|
| Service modul (Gasbauteile) | Spannung | Baugruppe | Ausgabe | gültig ab Seriennummer |
| Service Modul (Gas components) | Voltage | Group | Edition | Application from Serial.No. |
| | 1 N AC 230V 50Hz | 3 | 3.1.1 | 62G94031001 |



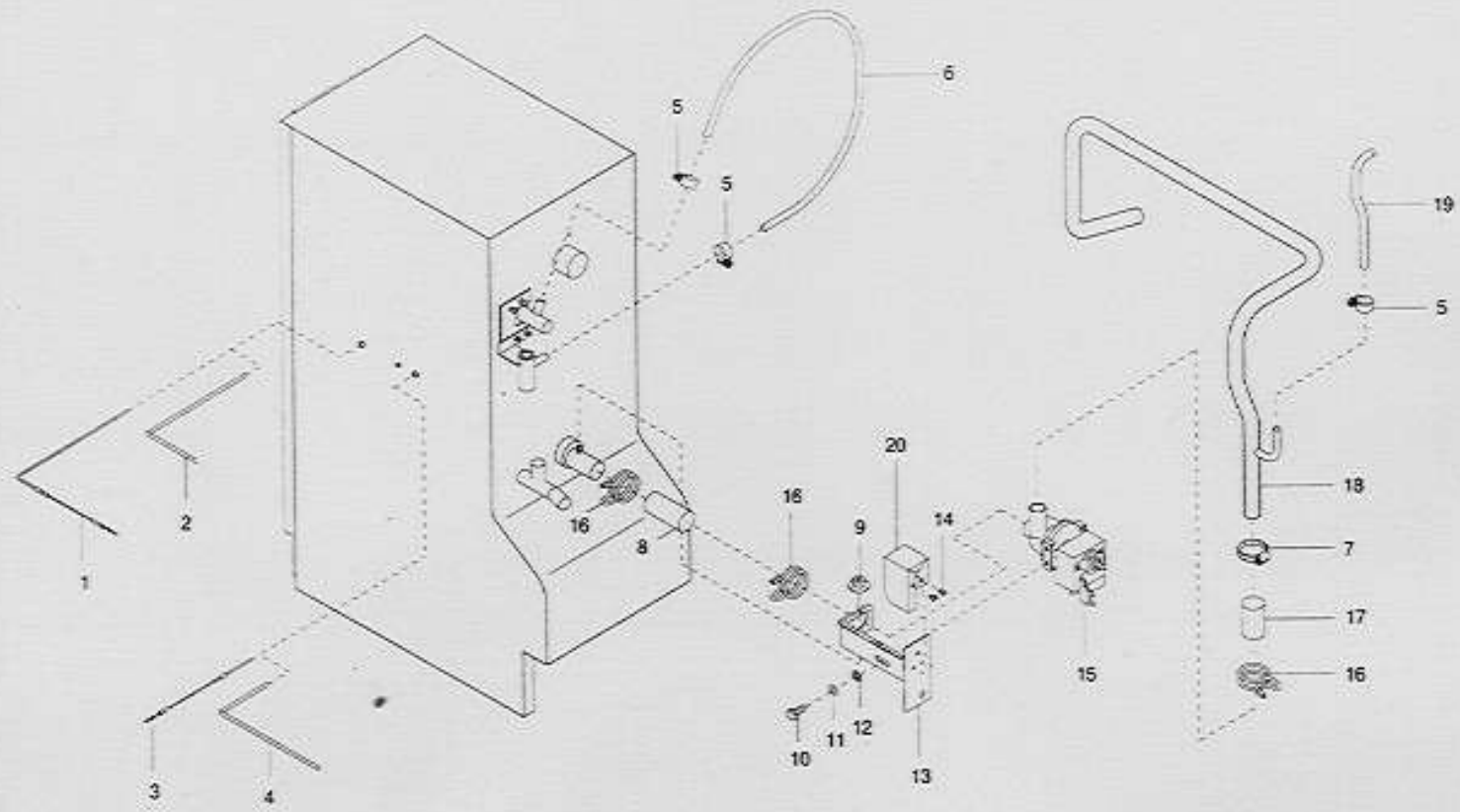
| Pos. | St. | Ersatz.Nr. | Bezeichnung | Description |
|------|------|--------------|------------------------------------|--|
| Pos. | Pcs. | Sp. Part No. | | |
| - | 1 | 8672.1004 | Service modul Erdgas kpl. | Natural gas service module cpl. |
| - | 1 | 8672.1005 | Service modul Flüssiggas kpl. | Lpg gas service module cpl. |
| 1 | 1 | 8668.1030 | Gasanschluß 1/2" | Connecting pipe 1/2" |
| 2 | 1 | 1500.1595 | Winkel G1/2" 90° | Bend G1/2" 90° |
| 3 | 1 | 1500.1598 | Winkel G1/2" 30° | Bend G1/2" 30° |
| 4 | 1 | 2036.0610 | Ringwellenschlauchleitung DN12 | Gas tube DN12 |
| 5 | 4 | 2036.0604 | gerade Eischraubverschraubung | Straight threaded joint |
| 6 | 1 | 2910.1052 | Ventilanschluß | Valve connecting pipe |
| 7 | 2 | 3039.0220 | Gasventil Erdgas 220/240V 50Hz | Gas valve natural gas 220/240V 50Hz |
| - | 2 | 3039.0220 | Gasventil Flüssiggas 220/240V 50Hz | Gas valve lpg gas 220/240V 50Hz |
| 8 | 2 | 3039.0206 | Dichtung und Schraube I | Seal and screw I |
| 9 | 2 | 3039.0205 | Anschlußkabel I Gasventil | Connecting cable I gas valve |
| 10 | 2 | 2940.1021 | Winkelflansch | Angle flange |
| 11 | 2 | 3039.0208 | Dichtung und Schraube II | Seal and screw II |
| 12 | 2 | 3039.0207 | Anschlußkabel II Gasventil | Connection cable II gas valve |
| 13 | 1 | 8668.1025 | Brennerzuleitung links | Burner feed pipe left |
| 14 | 1 | 8668.1026 | Brennerzuleitung rechts | Burner feed pipe right |
| 15 | 2 | 5012.0534 | Anschlußdichtung | Gasket, fitting mainburner |
| 16 | 2 | 2068.0225 | Brenner Erdgas (mit Düse 1,10) | Burner natural gas |
| - | 2 | 2068.0226 | Brenner Flüssiggas (mit Düse 0,65) | Burner lpg gas |
| 17 | 2 | 2068.0155 | Zünderlektrode | Ignition electrode |
| 18 | 2 | 2535.251716 | Zünderlektrodenhalter | Bracket for ignition electrode |
| 19 | 4 | 1004.0061 | Zylinderschraube M4x8 | Slotted pan head screw M4x8 |
| 20 | 2 | 2068.0152 | Überwachungselektrode | Flame monitoring electrode |
| 21 | 2 | 2535.261808 | Überwachungselektrodenhalter | Bracket for flame monitoring electrode |

| | | | | |
|-----------------------------------|---------------------|--------------------|--------------------|---|
| Dampfgenerator Steam Generator | Spannung Voltage | Baugruppe Group | Ausgabe Edition | gültig ab Seriennummer Application from Serial.No. |
| | 1 N AC 230V 50Hz | 4 | 4.2.1 | 62G94031001 |



| Pos. | St. | Ersatz.Nr. | Bezeichnung | Description |
|------|------|--------------|--|---------------------------------|
| Pos. | Pcs. | Sp. Part No. | | |
| - | 1 | 8450.1002 | Sicherheitsventil kpl. | Safety valve cpl. |
| 1 | 2 | 2066.0506 | Schlauchselle 20-32mm | Hose clamp 20-32mm |
| 2 | 1 | 2112.1023 | Schlauch 250mm lang | Hose 250mm long |
| 3 | 1 | 3002.0404 | Niveauelektrode | Filling electrode |
| 4 | 2 | 1206.0120 | Zahnscheibe A6,4 | Toothed lock washer A6,4 |
| 5 | 2 | 1106.0160 | Sechskantmutter M6 | Hex nut M6 |
| 6 | 1 | 2067.0209 | Dampfschlauch 90mm lang | Steam hose 90mm long |
| 7 | 2 | 2066.0504 | Schlauchselle 40-60mm | Hose clamp 40-60mm |
| 8 | 2 | 2067.1651 | Silikonschlauch 70mm lang | Silicone hose 70mm long |
| 9 | 1 | 8300.2207 | Stopfen für Notablaß | Manual drain plug |
| 10 | 5 | 2066.0521 | Schlauchklemme ø27mm | Hose clamp ø27mm |
| 11 | 1 | 2022.0203 | Verbindungsstülpe DG-Sicherheitsventil | Form fitting safety valve |
| 12 | 1 | 2812.1030 | Ablaufrohr | PVC-pipe |
| 13 | 1 | 2066.0503 | Schlauchselle 25-40mm | Hose clamp 25-40mm |
| 14 | 1 | 2064.0100 | Einfüllstutzen | Valve body |
| 15 | 1 | 5012.0527 | Dichtung | Gasket |
| 16 | 1 | 1008.0761 | Sechskantschraube M8x25 | Hex screw M8x25 |
| 17 | 1 | 2064.1005 | Gliederkette 100mm lang | Chain 100mm long |
| 18 | 1 | 1208.0160 | Zahnscheibe A8,4 | Toothed lock washer A8,4 |
| 19 | 1 | 2043.0203 | Haltescheibe | Holding plate |
| 20 | 1 | 2026.0201 | Verschlußkegel | Cone |
| 21 | 1 | 5012.0526 | Dichtung | Gasket |
| 22 | 1 | 2020.0301 | Griffscheibe | Plastic handle |
| 23 | 1 | 2049.0800 | Alu- Deckschild | Cover plate |
| 24 | 1 | 8354.1014 | Sondenhalter | Holding bracket level electrode |

| | | | | |
|-----------------------------------|---------------------|--------------------|--------------------|---|
| Dampfgenerator Steam Generator | Spannung Voltage | Baugruppe Group | Ausgabe Edition | gültig ab Seriennummer Application from Serial.No. |
| | 1 N AC 230V 50Hz | 4 | 4.1.1 | 62G94031001 |



| Pos. | St. | Ersatz.Nr. | Bezeichnung | Description |
|------|------|--------------|------------------------------------|------------------------------------|
| Pos. | Pcs. | Sp. Part No. | | |
| - | 1 | 8350.3001 | Dampfgenerator kpl. | Steam generator cpl. |
| 1 | 1 | 3014.0157 | Mantelthermoelement | Thermocouple |
| 2 | 1 | 2577.381578 | Klemmblech für Mantelthermoelement | Holding plate for thermocouple |
| 3 | 1 | 3014.0320 | Trockengehschutz 173°C | Dry-up protector 173°C |
| 4 | 1 | 2577.371577 | Klemmblech für Trockengehschutz | Holding plate for dry-up protector |
| 5 | 3 | 2066.0205 | Schlauchschnelle 12-18mm | Hose clamp 12-18mm |
| 6 | 1 | 2067.0156 | Druckschlauch 440mm lang | Pressure hose 440mm long |
| 7 | 1 | 2066.0506 | Schlauchschnelle 20-32mm | Hose clamp 20-32mm |
| 8 | 1 | 2067.1651 | Silikonschlauch 70mm lang | Silicone hose 70mm long |
| 9 | 1 | 1106.0801 | Sechskant-Combi-Mutter M6 | Hex-combi-nut M6 |
| 10 | 1 | 1006.0760 | Sechskantschraube M6x16 | Hex screw M6x16 |
| 11 | 1 | 1306.0221 | Unterlegscheibe A6,4 | Washer A6,4 |
| 12 | 1 | 1206.0120 | Zahnscheibe A6,4 | Toothed lock washer A6,4 |
| 13 | 1 | 2577.111541 | Pumpenhalter | Holder for discharging pump |
| 14 | 2 | 1004.0023 | Zylinderschraube M4x6 | Slotted pan head screw M4x6 |
| 15 | 1 | 3002.1000 | Entleerungspumpe | Discharging pump |
| 16 | 3 | 2066.0518 | Schlauchklemme ø30mm | Hose clamp ø30mm |
| 17 | 1 | 2067.1633 | Silikonschlauch 60mm lang | Silicone hose 60mm long |
| 18 | 1 | 2910.1051 | Abflußrohr-Dampfgenerator | Discharging hose steam generator |
| 19 | 1 | 2067.0168 | Druckschlauch 2500mm lang | Pressure hose 2500mm long |
| 20 | 1 | 2577.751756 | Schutzgehäuse | Protection cover |

Sonstiges

Miscellaneous

| Pos. Pos. | Ersatz.Nr. Sp. Part No. | Bezeichnung | Description |
|--------------|----------------------------|--|---|
| 1 | 2005.0403 | Lenkrolle für Hordengestelltransportwagen | Castor without brace for transport trolley |
| 2 | 2005.0404 | Feststellrolle für Hordengestelltransportwagen | Castor with brace for transport trolley |
| 3 | 3040.0205 | Kupplungsstecker 5-polig | Connector 5-pin male |
| 4 | 3040.0206 | Kupplungsteil 5-polig | Connector 5-pin female |
| 5 | 3040.0207 | Kupplungsstecker 15-polig | Connector 15-pin male |
| 6 | 3040.0208 | Kupplungsteil 15-polig | Connector 15-pin female |
| 7 | 3040.0209 | Einzelstecker für Steckerteil | Insert for connector male |
| 8 | 3040.0210 | Einzelbuchse für Kupplungsstecker | Insert for connector female |
| 9 | 3040.0211 | Kupplungsstecker 3-polig | Connector 3-pin male |
| 10 | 3040.0212 | Kupplungsstecker 2-polig | Connector 2-pin male |
| 11 | 3040.0213 | Kupplungsteil 3-polig | Connector 3-pin female |
| 12 | 3040.0214 | Kupplungsteil 2-polig | Connector 2-pin female |
| 13 | 5006.0200 | Tube Silikon | Silicone (tube) |
| 14 | 5012.0524 | Teflonband 12mm breit | Teflon- tape 12mm broad |
| 15 | 8817.1024 | Anschlußkabel 3x1,5mm | Power connection cable 3x1,5mm |
| 16 | 8455.1034 | Strömungssicherung | Draft diverter |
| 17 | 9003.0100 | Lecksuchspray | Leak detektor spray |
| 18 | 9006.0850 | Metallwaschcreme | Stainless steel cleaner paste |
| 19 | 8817.1023 | Verdrahtung für Innenbeleuchtung | Wiring interior light |
| 20 | 8815.1007 | Verdrahtung für Frontplatte | Cable harness front panel |
| 21 | 8455.1028 | Frontklappe | Front panel |
| 22 | 8815.1008 | Verdrahtung Gasschublade | Cable harness service module |
| 23 | 8710.1024 | Hebearm | Lifting arm |
| 24 | 6020.1005 | Hordengestellwagen | Transport trolley |
| | | Abgasführung | Flug connection |
| 25 | 8455.1034 | Strömungssicherung für Einzelgerät oder Combi-Duo unten | Draft diverter for single unit or combi-duo lower unit |
| 26 | 2910.1044 | Abgassteigrohr Combi-Duo | Flue rise |
| 27 | 8455.1035 | Strömungssicherung Combi-Duo oben | Draft diverter combi-duo top unit |
| 28 | 8710.1025 | Combi-Duo Kit kpl. | Combi-duo kit cpl. |